



Technical Data

Specification & Capacities

KIRPY AR800





● KIRPY AR800



● Manual Vacuum Pad Attachment



● Semi-Auto Vacuum Pad Attachment



● Full-Auto Vacuum Pad Attachment



● Curved Glass Attachment



● Cart Attachment

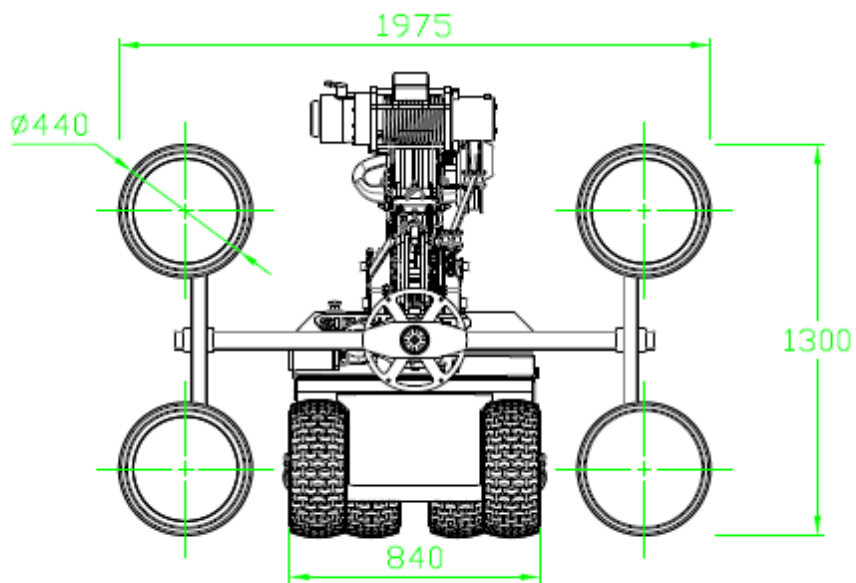
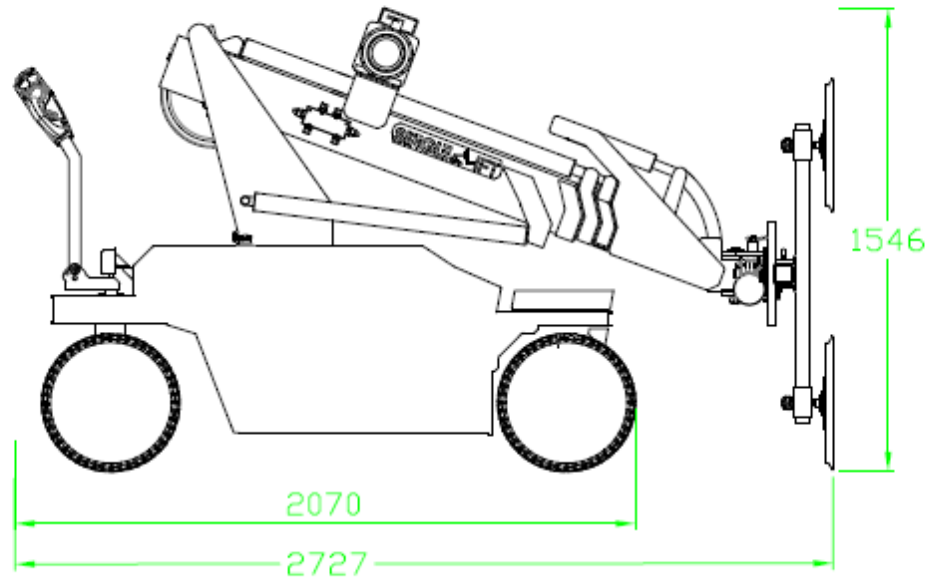


- Electric Winch Attachment

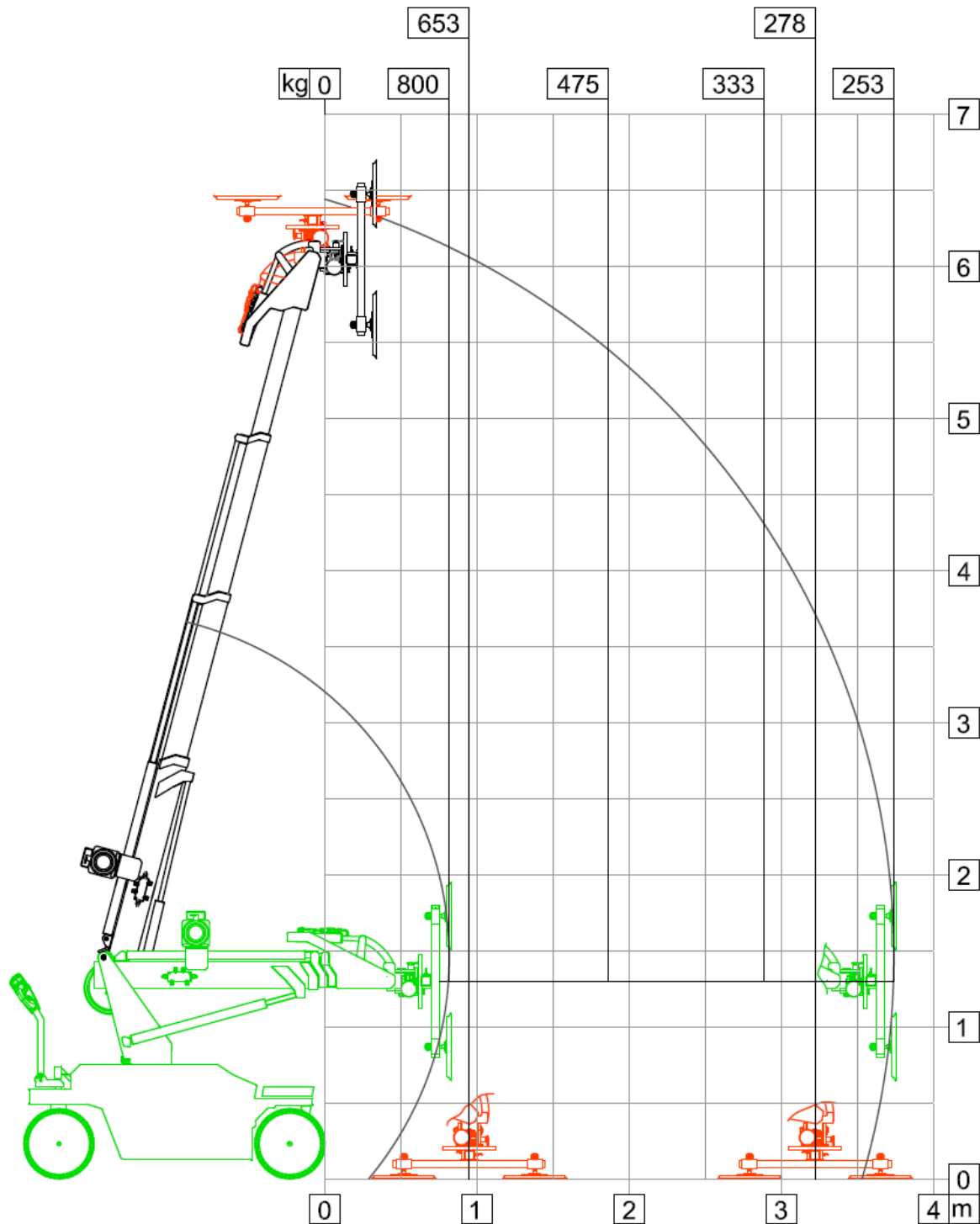


- Swivel Hook Attachment

OVERALL DIMENSIONS
KIRPY AR800



AR800 - LOAD DIAGRAM



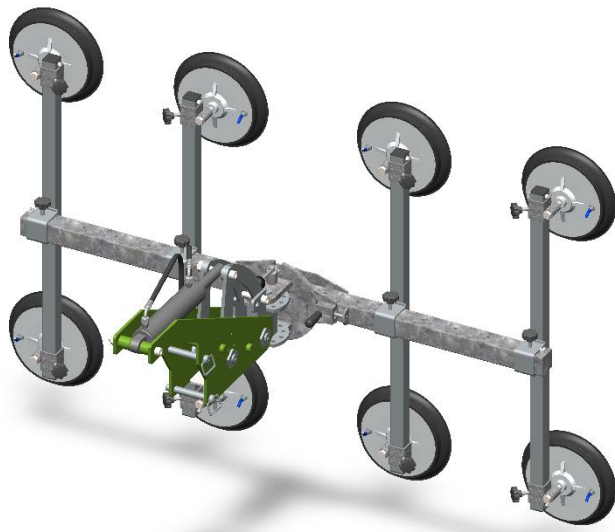
TECHNICAL DATA

Lifting capacity (arm in / extended)	800 kg / 250 kg
Own weight	1300 kg
Operation time	8 h
Charging time	10 h
Charging voltage	110-220 V
Battery	4 x 12V 100 Ah
Vacuum system	2 pumps, 2 vacuum reserve tanks

REMARKS REFERRING TO LOAD CHART

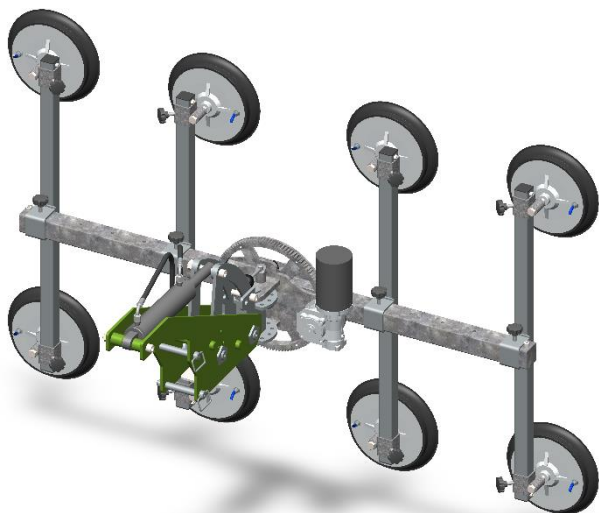
- Load charts are calculated according to EN 13000.
- Lifting capacities are given in kilograms.
- The weight of the hook blocks and hooks is part of the load and therefore it must be deducted from the lifting capacities.
- A maximum offset of 5 cm is allowed between the center of the glass and the center of the vacuum attachment. Otherwise, it should be noted that the rotation motor cannot fulfill its task.
- Subject to modification of lifting capacities.

ATTACHMENT FEATURES



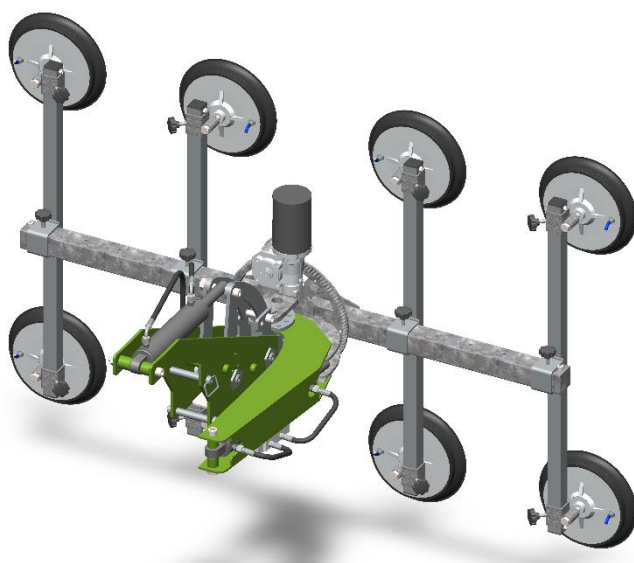
• Manual Vacuum Pad Attachment MR-MS/800

Lifting Capacity	800 kg
Attachment Weight	100 kg
Frame Dimensions	1860 x 1190 mm
Rotation Angle	Lockable 90° cc & 90° ccw
Slewing Angle	Lockable 90° left & 90° right
Suction Cup features	Ø 290 mm, 8 pieces



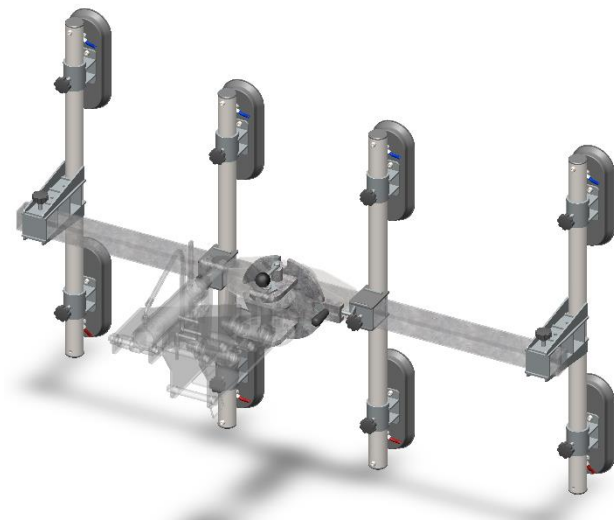
• Semi-Auto Vacuum Pad Attachment AR-MS/800

Lifting Capacity	800 kg
Attachment Weight	106 kg
Frame Dimensions	1860 x 1190 mm
Rotation Angle	Automatic 360°
Slewing Angle	Lockable 90° left & 90° right
Suction Cup features	Ø 290 mm, 8 pieces



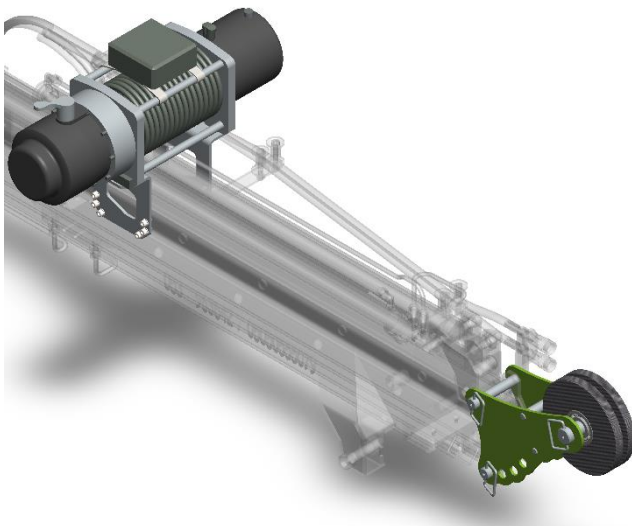
• Full-Auto Vacuum Pad Attachment AR-AS/800

Lifting Capacity	800 kg
Attachment Weight	125 kg
Frame Dimensions	1860 x 1190 mm
Rotation Angle	Auto. 360°
Slewing Angle	Auto. 85° left & 12° right
Suction Cup Features	Ø 290 mm, 8 pieces



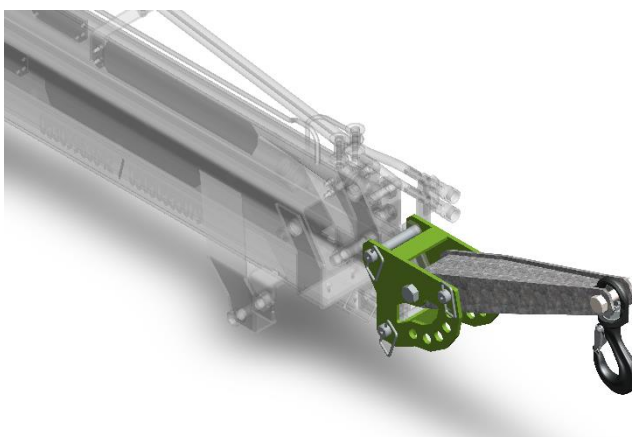
- **Curved Glass Attachment
CGA/800**

Lifting Capacity	800 kg
Attachment Weight	35 kg
Dimensions	1610 x 1000 mm
Max. Curve Diameter	R1500 mm
Suction Cup Features	300x125 mm, 8 pieces



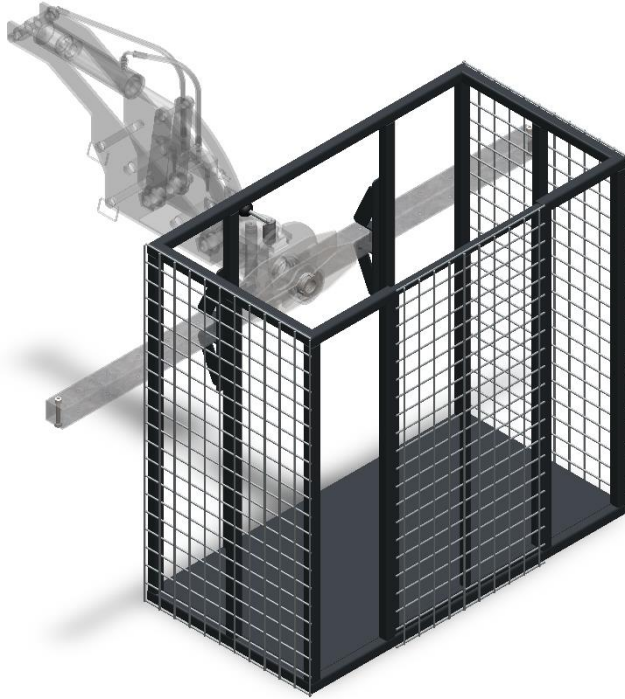
- **Electric Winch Attachment
EWA/800**

Lifting Capacity	800 kg
Attachment Weight	
Rope Length	27 mt.



- **Swivel hook attachment
SHA/800**

Lifting Capacity	800 kg
Attachment Weight	10,5 kg
Arm Length	385 mm
Working Angle	+22.5° / -90°



• Cart Attachment CA/300

Lifting Capacity	300 kg
Attachment Weight	60 ±5 kg
Dimensions	1050x550 L= 1030 mm

TR Burada açıklanan tüm spesifikasyonlar ve özellikler önceden tavsiye olmaksızın değiştirilebilir. Vinç kullanımına bağlı olarak farklı performans gösterdiğinden, belirtilen tüm veriler yalnızca gösterge niteliğindedir ve bağlayıcı değildir. **EN** All specifications and features herein described can be changed without prior advice. All indicated data are indicative only and are not binding as crane performs differently depending on its use. **IT** Tutte le caratteristiche e le specifiche descritte possono essere soggette a variazioni senza preavviso. Tutti i dati riportati sono forniti a puro titolo informativo e non sono impegnativi dal momento che le prestazioni della macchina variano in funzione dell'utilizzo. **DE** Unangekündigte Änderungen sämtlicher Eigenschaften und Daten sind möglich. Alle Angaben sind Richtwerte und nicht verbindlich da die Leistungen der Vorrichtung von deren Einsatz abhängen. **ES** Todas las características y las especificaciones aquí indicadas pueden ser sujetas a variaciones sin aviso. Se dan todos los datos aquí indicados como simples informaciones. No se consideran como vinculantes, dado que las prestaciones del maquinario pueden variar. **FR** Toutes les caractéristiques et les spécifications descriptives peut être sujet à variation sans préavis. Tout les données rapportés sont fourni à titre informatif et ne sont pas engager au moment que la prestation de la machine change en fonction de l'emploi.

12.10.2023 | Rev.01

SERIAL NUMBER



SAİT KOÇAK MAKİNA SAN. VE TİC. LTD. ŞTİ.

Akçeşme Mh. 2634 Sk. No:18 Merkezefendi/DENİZLİ 20070 TURKEY,
www.singlelift.com

info@singlelift.com +90 258 999 25 56